



HEAD MOUNTING TRANSMITTER

Mp82810-R

2-wire head mounting transmitter

Mp82810-R

- Microprocessor based
- RTD (Pt100 3-wire) input
- Fully linearized
- RFI / EMI protected
- High accuracy (Typical 0.2%)
- Optional plug-in readout & head
- 5 Year warranty



Specifications

Input RTD	Pt100 3-wire
Minimum Span	25°C
Output	4...20 mA or 20...4 mA
Linearization	On / Off
Supply	5...40 VDC, Polarity Protected
Supply Effect	0.001%/V
Zero Drift	± 0.01%/°C or ±0.02°C/°C
Span Drift	± 0.01%/°C or ±0.02°C/°C
Long Term Drift	± 0.05%/Year
Cold Junction Drift	± 0.01°C/°C
Excitation Current, RTD	0.1 mA
Sensor Lead Resistance, RTD	500 Ohm max.
Sensor Lead Resistance Effect	0.005°C/Ohm
Open Circuit Detection	Upscale / Downscale
Load Capability	Vbat-5V / 20 mA
Startup Time	5 sec.
Warmup Time	2 Min.
Ambient Operating Temp.	-40...+ 85°C
Ingress Protection	IP30
Storage Temperature	-40...+100°C
Housing Material	Zinc Alloy (ZAMAK 5) epoxy coated
Housing Dimension	43mm Dia. x 27mm H. (1.70" x 0.99")
Housing Dimension with Read-Out	47mm Dia. x 36mm H. (1.85" x 1.42")

Order information and options

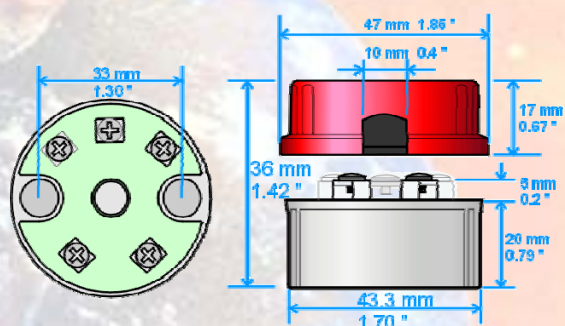
Example:

Model Mp82810-R -D-CW-IF

Options:

- D = Plug-in Loop-powered Readout
- CW = DAN type connection head with window
- IF = Interface and software

Dimensions



Red top is optional plug-in display
(part no. Mp82-Display)

Sensor ranges

Sensor type	Temp. Min. °C	Temp. Max. °C	Span Min. °C
Pt100 IEC751	-200	850	25



S-Products

www.s-products.com