

Relative Humidity & Temperature Transmitter

- **Metal housing**
- **Integrated display for Temp. and RH**
- **Different probe length possible**
- **Industrial solutions**
- **Connector for easy replacement**

CE HT-780 Series



The HT-780 Relative Humidity & Temperature Transmitter measures the ambient relative humidity and temperature and provides linear analog outputs directly proportional to the rel. humidity and temperature. It features with a full metal housing and has standard a miniature connector for easy replacement. The unit meets CE requirements.

The HT-780 provides a linear 4..20 mA 2-wire signal directly proportional to 0..100% RH. In addition to that, it has an integrated temperature transmitter that provides a 4..20mA 2-wire signal for a -50..200 °C temperature range. The HT-780 utilizes a thin-film polymer humidity sensor that provides excellent long-term stability and fast response.

The sensor fully recovers from condensation. As the HT-780 is equipped with a linear humidity sensor it shows an accuracy of ±2% RH from 5..95% RH. The beautiful design and durability makes it the ideal choice for all applications that require the monitoring and controlling of humidity and temperature, including a variety of OEM applications.

Ordering information	
Model	Description
HT-780-T-02	RH & T Transmitter, Length=200mm
HT-780-T-04	RH & T Transmitter, Length=500mm
HT-780-T-12	RH & T Transmitter, Length=200mm, with display
HT-780-T-14	RH & T Transmitter, Length=500mm, with display
Other lengths on request possible	
Partnumber	Accessories
A-000020	Sintered Stainless Steel Dust Filter ø 18.5mm
A-000030	Connector female, screws for cable
A-000031	Connector female, with 2.0 mtr. cable
A-000100	3/4"NPT Adj. fitting Stainless Steel

Typical applications

- Climature rooms
- Incubators
- Bakery machines
- Greenhouses
- Warehouses
- HVAC installations
- Energy management

CE

Specifications HT-780

Humidity Transmitter

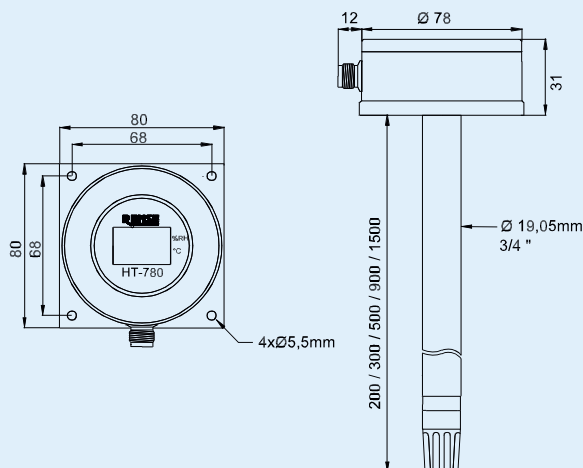
Range	0..100% RH
Working range	2..95% RH
Output	4..20 mA (2-wire)
Accuracy @ 25 °C	±2% RH (5..90%RH)
Temperature drift	0.03% RH/ °C typ.
Response time	10 s typical (90% of the change) without filter
Stability	±2% RH, 24 months typical, depending on environmental conditions
Supply influence	±0.01% RH/V typ.

Temperature Transmitter

Measuring range	-50..+200 °C
Output	4..20 mA (2-wire)
Accuracy	± 0.2 °C typ.
Supply influence	±0.01 °C/V typ.

General

Supply voltage	8..35 Vdc
Operating temp. sensor tip	-40..+150 °C
Operating temp. electronics	-20..+70 °C (display 0..50 °C)



All specifications are subject to change without prior notice.

All Products manufactured by Rense Instruments are warranted to be free of defect in material and workmanship for a period of one year after delivery.

RENSE

DEVELOPMENT AND MANUFACTURING OF ELECTRONIC INSTRUMENTS

INSTRUMENTS BV

Burg. v. Campenhoutstraat 61
NL 4921 KR MADE
The Netherlands

Phone +31 162 470580
Fax +31 162 437566

E-mail: sales@rense.nl
Internet: www.rense.nl