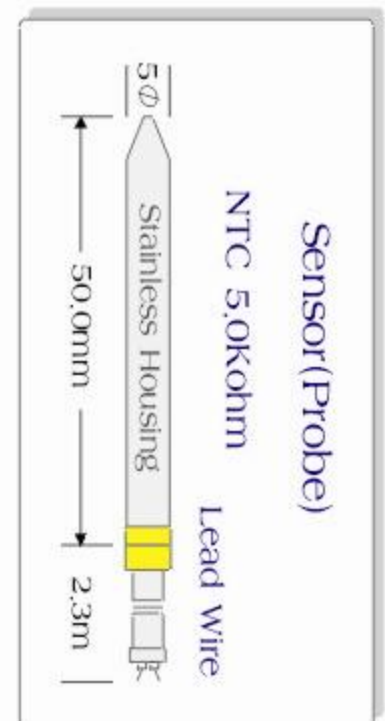
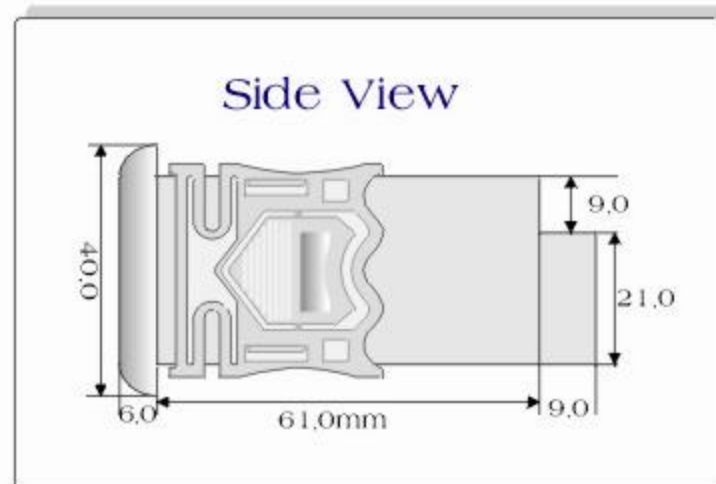
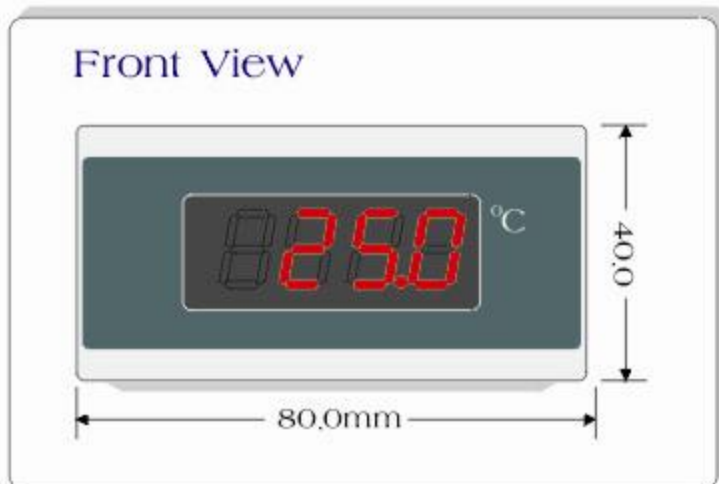
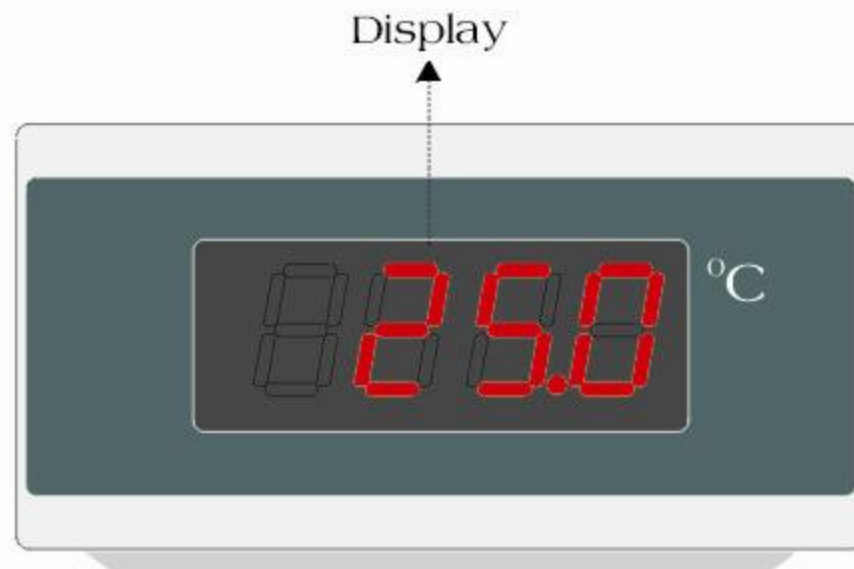


---- For display only ----



1. The Aum-140N requires the supply of electricity, which is 220VAC 50/60Hz. The sensor does not need any certain direction. As soon as the power and a sensor has been switched on, the present temperature that has been detected by the sensor will be shown on the window.
2. It can precisely detect the temperature, and therefore the figure of temperature will be displayed on the window up to one decimal place. The working range that can be covered is from -40.0 to 100.0°C .



Drilling Templet : B.70.0xL.29.0mm+(0.5mm)

Caution in use

1. Keep the instrument off strong acid, alkali, oil, dust and direct sunlight.
2. Keep the instrument away from the high voltage of a generator, or a motor.
3. Use it under the following condition, ie $0\sim 60^{\circ}\text{C}$ and below 80 percent humidity.
4. Let the end part of a sensor stay toward top in order to prevent the droplets of water which are gathering around the sensor.
5. In case of resumption of the electric power, it is recommended to be switched on after 5 seconds to avoid an electrical fault.

Memo. :

Mod. : Aum-140N

NTC Sensor ←