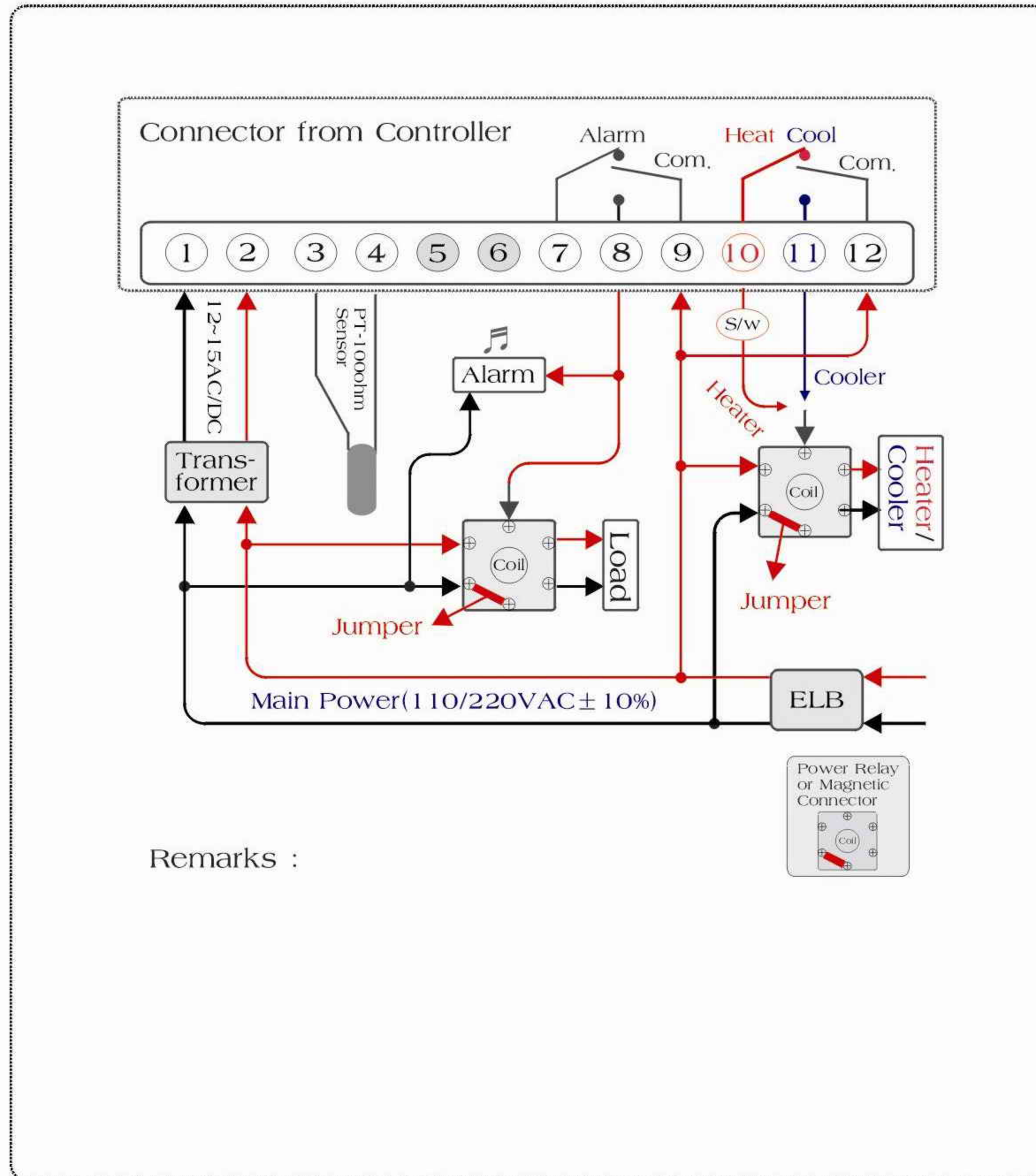


Model : Aum-5000PA for general use

Wiring diagram for "Heater or Cooler" & Alarm mode



Remarks :

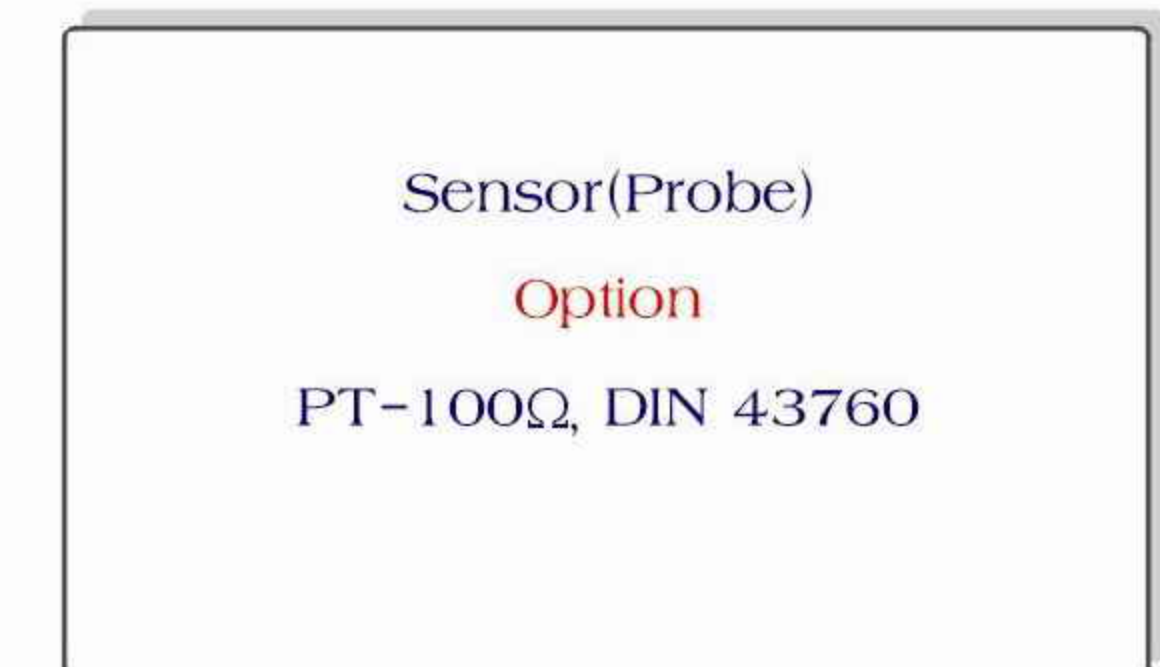
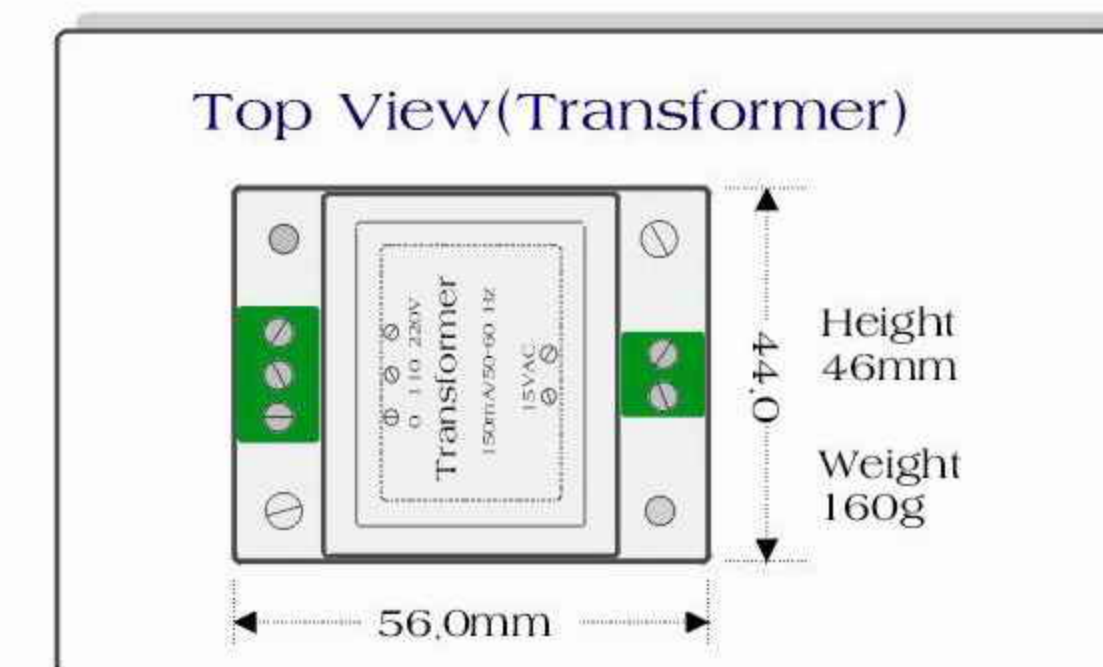
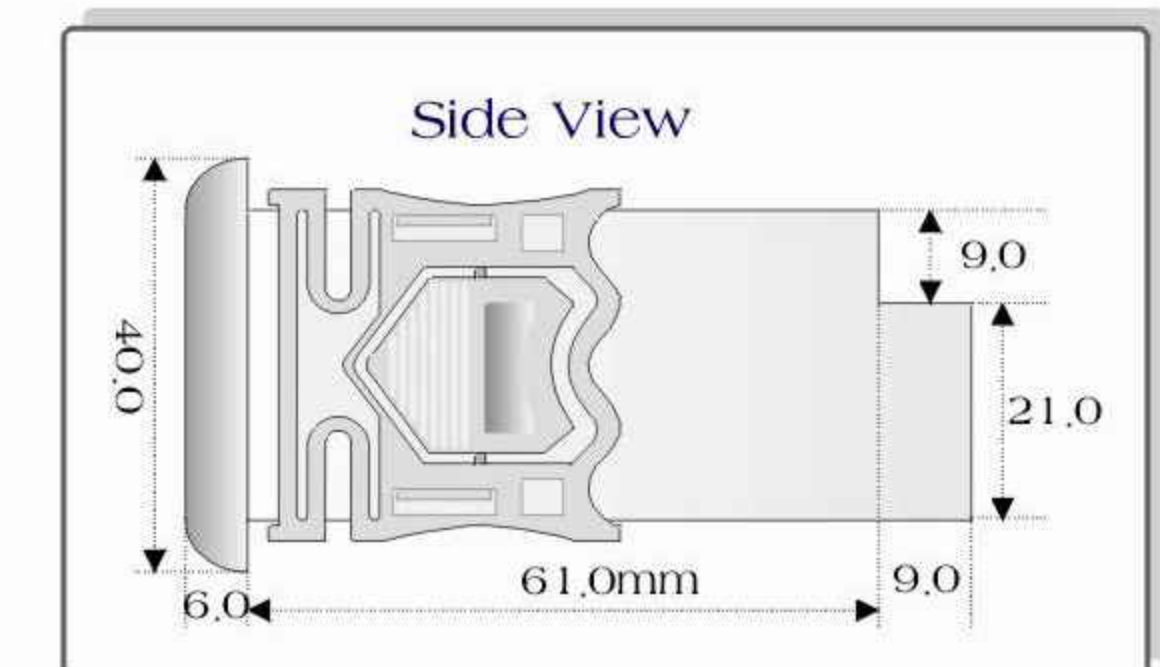
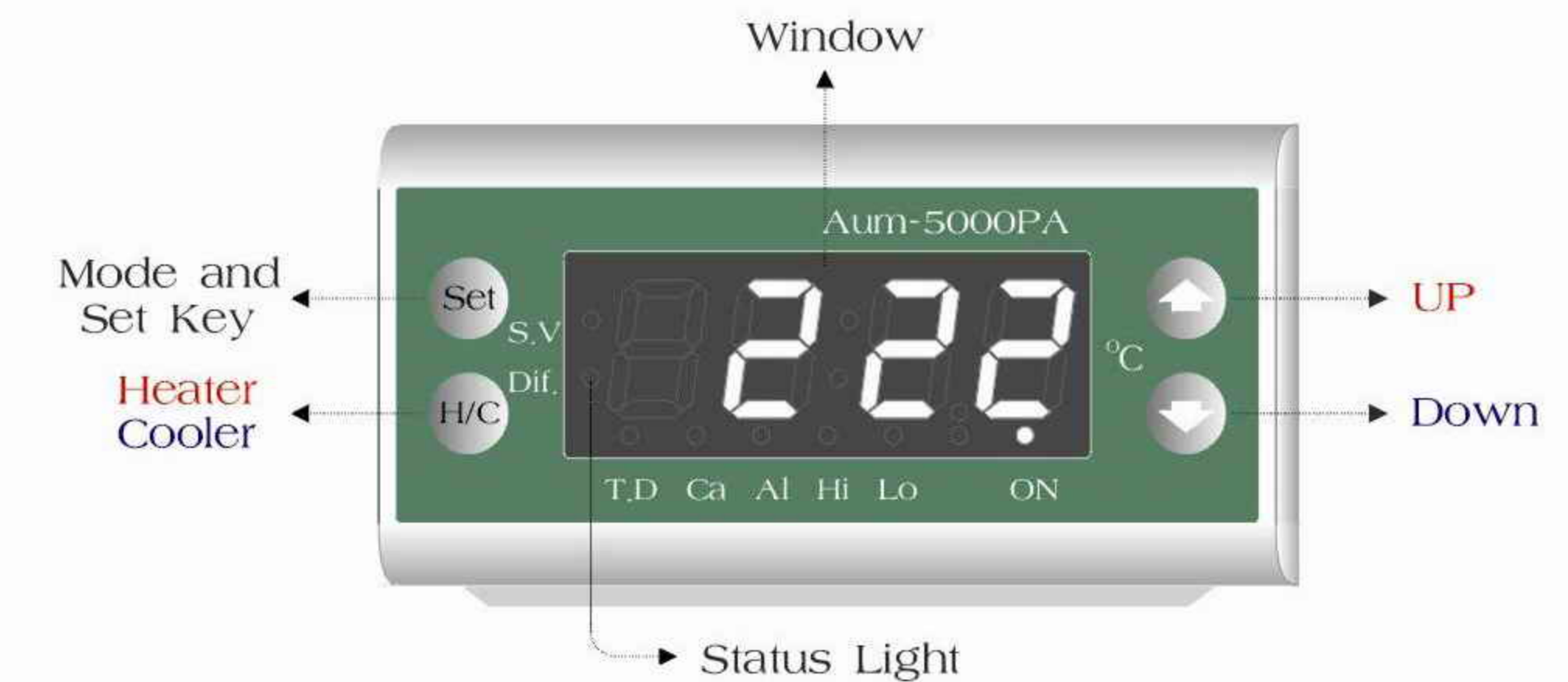
Caution in use

1. Avoid an excessive temperature, humidity and shock.
2. Keep the instrument off strong acid, oil, dust and direct sunlight.
3. Keep the instrument away from the high voltage of a generator or a motor.
4. Let the end part of a sensor stay toward the top in order to prevent the droplet of water.
5. In case of resumption of the electrical power, it is recommended to be switched on after 5 seconds to avoid an electrical fault.

Mod.: Aum-5000PA



1. Either a heating function or a cooling function can be chosen. The set value of a low limit and a high limit for the function of an alarm controls the working range of a selection values. And therefore, The set values exceed the conditioned range, the signal of alarm starts warning so that any possible damage or accident can be prevented in advance. Especially its reliable performance is based on a system of the "Feed back", which always sorts out, and inspects the results of it is performing values. Accordingly it can precisely detect. Its working range that can be covered is from -50 to 500°C.
2. There are functions such as S.V.(The selection value), Dif.(Differential), T.D.(The time delay), Ca.(Calibration), AL.(AL-ert / FL-ash). In addition, the function of the "Alarm-High" limit and the "Alarm-Low" limit can also be an optional extra in this model of Aum-5000PA.
3. It is composed of a main body, a sensor(Option : PT-100Ω, DIN 43760) and a transformer. The power supply is 12~15VAC/DC. The sensor does not require any certain direction. As soon as the power and a sensor is switched on, the temperature that has been detected by the sensor will be shown on the window.



Drilling Template : B:70.5xH:29.5mm

- 1. Selection Value :** Check the S.V. lamp

Adjust the Selection Value

Set the Selection Value

To be continued the next function with push again
- 2. Differential Value :** Check the Dif. lamp

Adjust the Differential Value

Set the Differential Value
- 3. Time Delay :** Check the T.D. lamp

Adjust the Time Delay

Set the Time Delay
- 4. Calibration :** Check the CA. lamp

Adjust the Calibration for Temp.

Set the Calibration if possible
- 5. Alarm Signal :** Check the flag "AL:AL" or "AL:FL"

Adjust the Alarm signal

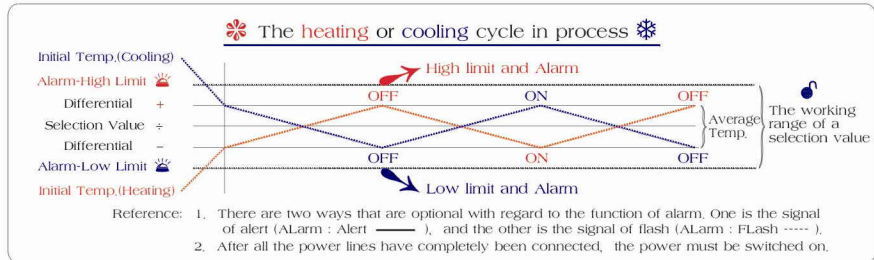
Set the Alarm signal
- 6. High Limit & Alarm :** Check the Hi. lamp

Adjust the High Limit & Alarm

Set the High Limit & Alarm
- 7. Low Limit & Alarm :** Check the Lo. lamp

Adjust the Low Limit & Alarm

Set the Low Limit & Alarm
- 9. Operating Lamp :** Check the Relay ON/OFF



- The Aum-5000PA requires the power supply of 12-15VAC/DC. And the sensor has been switched on, the actual temperature that the sensor detected will be shown on the window.
- Whenever the "Set" key is pressed, the next function will be chosen. But the function of T.D.(The time delay)needs to be pressed the "Set" key and the "H/C" key at the same time.
- After a function is selected by the "Set" key, adjust a required value of a direct parameter with the "Up" or the "Down" one. And then the "Set" key must be pressed again to finalize the new setting that has just been set by the "Up" key and the "Down" one. In case, the completion with the "Set" key at the end of a function failed, the previous setting before the correction will be continued to fulfill it is duty.
- Once a function has been chosen, press the "Up" key or the "Down" key to correct the value of a direct parameter while the status light is blinking.
- Although either a function has been selected, or a correction has been completed by the "Set" key, there is no slight alteration at all. After 10 seconds, the mode will automatically be returned to a position that the present temperature is shown on the window.
- Press the "Up" key while the "H/C" key is being pressed and then, the "HEAT" will be shown on the window. On the contrary, press the "Down" key to select the cooling functioning mode with the "COOL" on the window. One of the modes is consistent with the linked machine, the light for the "ON" will be lit.
- In case, the values of a direct parameter are desired to be scrolled up, or down swiftly. Keep on pressing the "Up" key or the "Down" one.

No.	Status Light	Mode	Working Range	Initial Settings	Unit	Apply	Definition
1.	①	S. V.	-50-500	25	°C	Load	Load (Heater / Cooler) S. V. : Selection Value

- A function has been selected by the "Set" key, and press the "Up" key or the "Down" one to correct the previous setting. The "Set" key must be pressed to finalize a new setting that has just been corrected thereafter.
- The range of a selected value is as follows : $-50 < (S.V.) + (Dif.) + (Ca.) < 500^{\circ}C$.

2.	②	Dif.	(00-15)	03	°C	S. V.	Dif. : Differential (Hysteresis)
----	---	------	---------	----	----	-------	----------------------------------

- The set value of the Dif, simultaneously applies to both values, which can be sum up with by such a formula of $(S.V.) \pm (Dif.)$. For instance, if the selection value is 25°C, and the set value of Dif, is 3, the working range of temperature will be within 22-28°C.
- At least 2°C is recommended to protect the mechanical system from an excessive operation.

3.	③	T.D.	00:00-15:00	00:03	Min. Sec.	Load	Load (Heater / Cooler) T. D. : Time delay
----	---	------	-------------	-------	-----------	------	--

- From the moment when the relay stops working until the set value of the T.D. has run out, no function related to the relay will be working. Although other conditions compel continuous performance. But the relay works after a complete function of the T.D.. This function protects machines from the damage that can be resulted in due to the frequent stops and resumptions.
- Press the "Set" key and the "H/C" key at the same time to select the function of the T.D..

4.	④	Ca.	+/-00-15	00	°C	Sensor	Ca. : Calibration
----	---	-----	----------	----	----	--------	-------------------

- The purpose of this function is to calibrate the differences in present temperature that happens when the led wire of a sensor has been extended considerably.
- In case, when the led wire of a sensor that is not only 0.5Ø shielded wire.
- Keep the led wire of a sensor away from a powerful generator or an electrical noise.

5.	⑤	AL	AL : FL/AL	AL : AL	-	Alarm	AL: Alert, FL: Flash
----	---	----	------------	---------	---	-------	----------------------

- There are two different signals with regard to the function of alarm. One is state of "Alert", the other is a state of "Flash".
- The function of the "AL:FL" only applicable for a buzzer. The other function of the "AL:AL" can only be applied to an auxiliary machine, which must be controlled by the main machine.
- Press the "Up" key to choose the "AL : FL". And also press the "Down" key to select the "AL:AL". Then, the "Set" key must be pressed to finalize a selection of a new setting.

6.	⑥	Hi	S.V. < 500	490	°C	No.2 Relay	Hi : Alarm-High,
----	---	----	------------	-----	----	------------	------------------

- The present temperature exceeds the setting of a high limit for the function of the alarm, the No.2 relay, which is for the alarm starts functioning so that the status light of a high limit turns on.
- When the mode is ruling a cooling function, an auxiliary cooler is available.
- The new set values of the high limit, which can be selected, and finalized by the "Set" key strictly regulate the working range whose value of a direct parameter must be below the setting of a high limit. And the Selection Value(SV) can not exceed the High Limit(lock function).
- The signal of alarm seemingly recommends to check the linked machine(heater or cooler), which tends to be found wrong.

7.	⑦	Lo	-50 < S.V.	-45	°C	No.2 Relay	Lo : Alarm-Low,
----	---	----	------------	-----	----	------------	-----------------

- The present temperature exceeds the setting of a low limit for the function of the alarm, the No.2 relay, which is for the alarm starts functioning so that the status light of a low limit turns on.
- When the mode is ruling a heating function, an auxiliary heater is available.
- The new set values of the low limit, which can be selected, and finalized by the "Set" key strictly regulate the working range whose value of a direct parameter must be above the setting of a low limit. And the selection value can not exceed the low Limit(lock function).
- The signal of alarm seemingly recommends to check the linked machine(heater or cooler), which tends to be found wrong.

9.	⑨	-	-	-	-	Load	Load (Heater/Cooler)
----	---	---	---	---	---	------	----------------------

- Either a heater or a cooler is operating, the lamp is always switched on.